

# CURRENT TRANSFORMER

Model 3P4

Window Diameter 1.44"

**APPLICATION:**

3 phase metering and other switchboard applications.

**FREQUENCY:**

50-400 Hz.

**INSULATION LEVEL:**

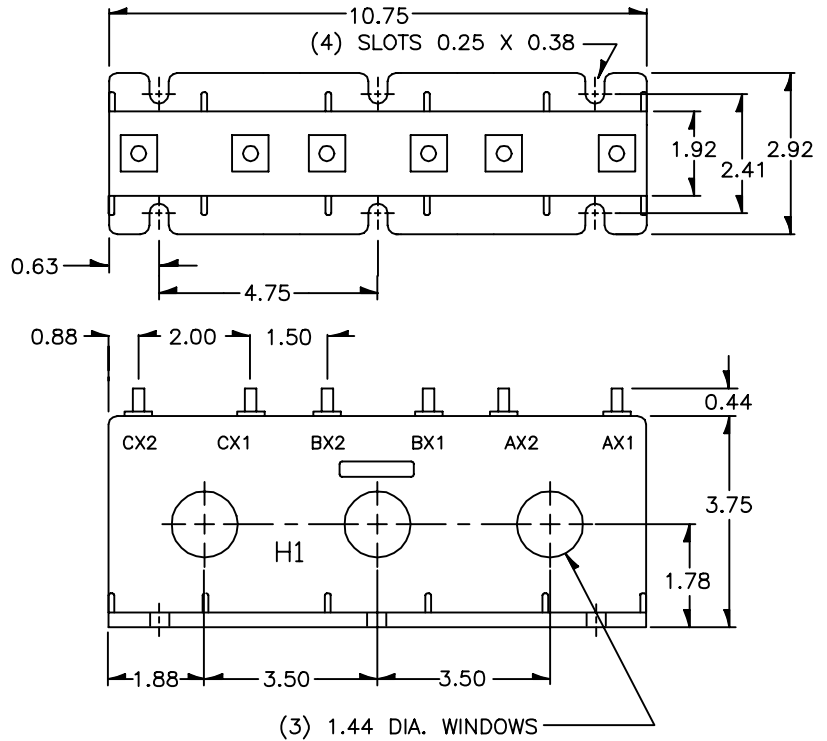
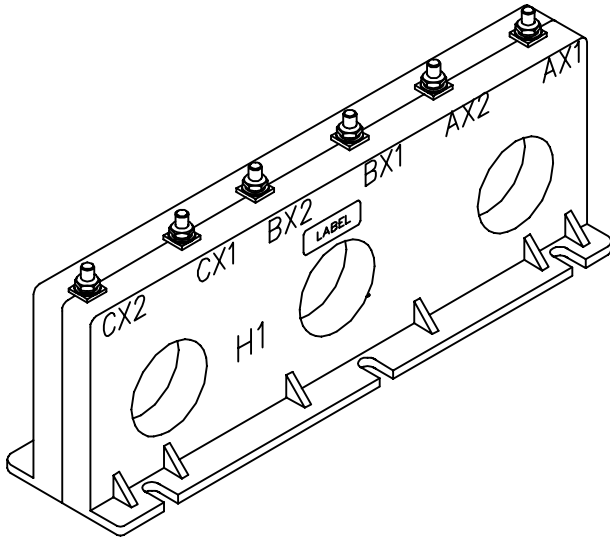
600 Volt, 10 kV BIL full wave.

- Terminals are brass studs No.8-32 with one flatwasher, lockwasher and regular nut.
- Transformers can be ordered with secondary leads configured in various ways (consult factory).
- Approximate weight 6.75 lbs.

REGULATORY AGENCY APPROVALS



Manufactured to meet the requirements of ANSI/IEEE C57.13.  
Classified by U.L. in accordance with IEC 44-1



CATALOG NUMBER	CURRENT RATIO	ANSI METERING CLASS AT 60 Hz					SECONDARY WINDING RESISTANCE (OHMS @ 75°C.)
		B0.1	B0.2	B0.5	B0.9	B1.8	
3P4-500	50:5	2.4	-	-	-	-	0.011
3P4-101	100:5	1.2	2.4	-	-	-	0.023
3P4-151	150:5	0.6	1.2	2.4	-	-	0.034
3P4-201	200:5	0.3	0.6	1.2	2.4	-	0.045
3P4-251	250:5	0.3	0.3	0.6	1.2	2.4	0.057
3P4-301	300:5	0.3	0.3	0.6	0.6	1.2	0.068
3P4-401	400:5	0.3	0.3	0.6	0.6	1.2	0.091
3P4-501	500:5	0.3	0.3	0.3	0.6	0.6	0.113
3P4-601	600:5	0.3	0.3	0.3	0.6	0.6	0.136
3P4-751	750:5	0.3	0.3	0.3	0.3	0.6	0.170
3P4-801	800:5	0.3	0.3	0.3	0.3	0.6	0.181
3P4-102	1000:5	0.3	0.3	0.3	0.3	0.3	0.226